
Ribberør LRS

GoGetNo: 6962

Drawing Specification of Ribberør LRS

- ❖ Family with single view of 3d with Variation Detail
- ❖ Mechanical Equipment family
- ❖ 8 Family types :
 1. K101-164-12
 2. K33-73-08
 3. K33-83-10
 4. K42-92-10
 5. K48-98-10
 6. K60-110-10
 7. K60-123-12
 8. K76-139-12

I. Family Variation

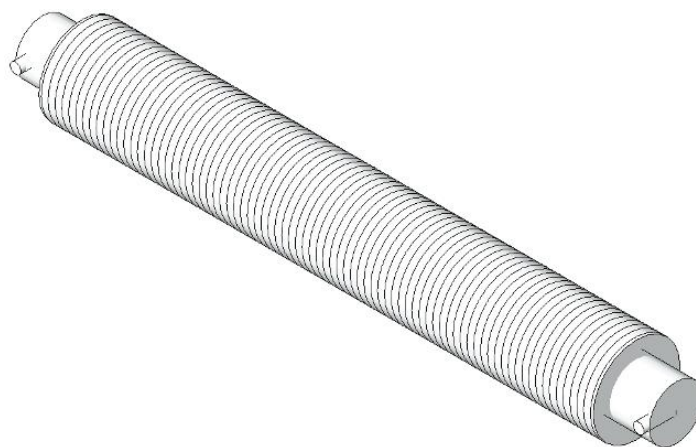
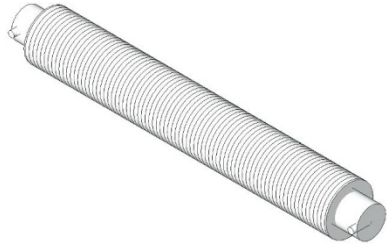
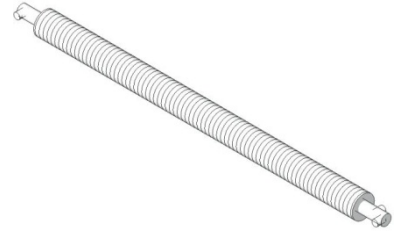


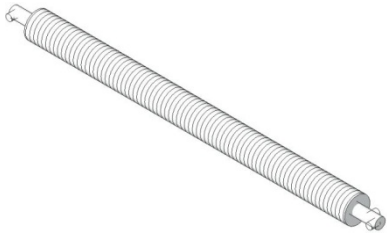
Figure 01
Family Perspectives



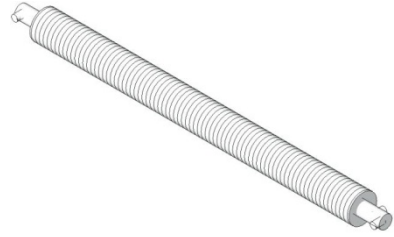
K101-164-12



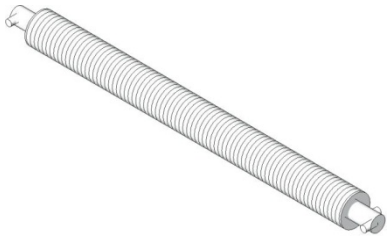
K33-73-08



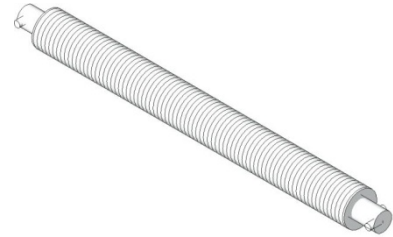
K33-83-10



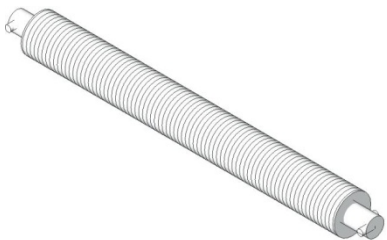
K42-92-10



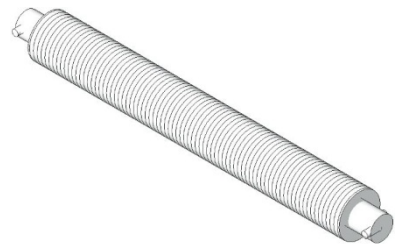
K48-98-10



K60-110-10



K60-123-12



K76-139-12

Figure 02
Variation of the family elevation

II. Family Parameter and Code

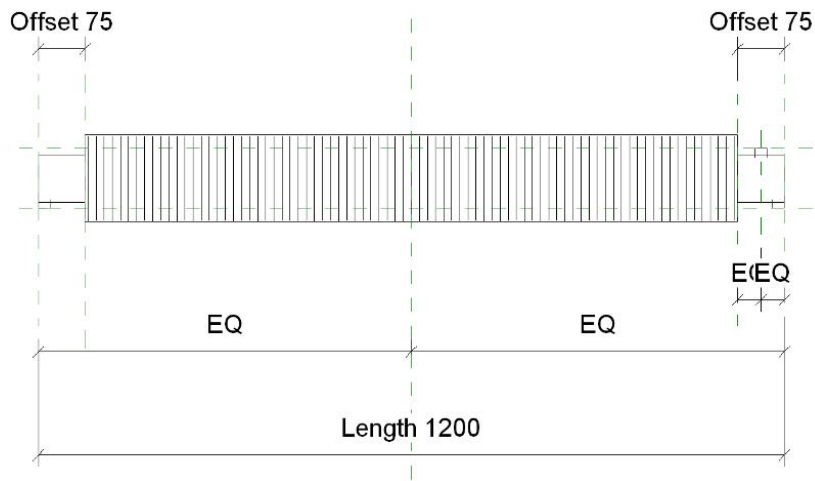


Figure 03
Family Plan Reference

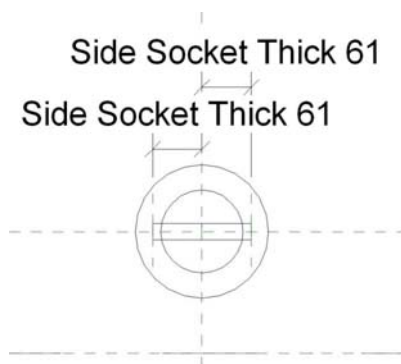


Figure 04
Family Left Reference

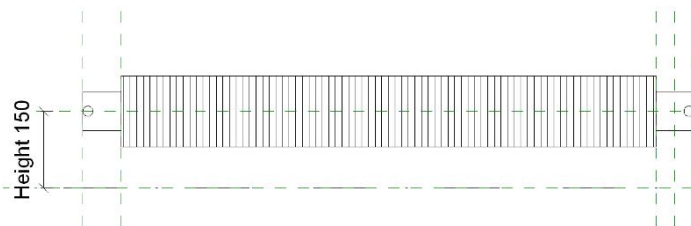


Figure 05
Family Front Reference

Family Types

Name:

Parameter	Value	Formula
Graphics		
1501 Fins	<input checked="" type="checkbox"/>	=
Materials and Finishes		
2003 Tube	RAL 9016	=
2002 Socket	RAL 9016	=
2001 Fin Pitch	RAL 9016 F	=
Electrical - Loads		
Max #1 Pole Breakers	271	=
Dimensions		
1402 Length	1200.0	=
1401 Height	150.0	=
Identity Data		
1705 URL	http://www.meinertz.com	=
1703 Model	K101-164-12	=
1702 Manufacturer	Meinertz	=
1701 Keynote	K101-164-12	=
1706 GoGetNo	6962	= 6962
Type Comments		=
Description		=
Assembly Code		=
Cost		=
Energy Analysis		
1201 Thermal Performance	216.000000	= CTP * Length / 1000 mm
Other		
9805 Welded Thick	10.0	=
9807 Tube Radius	50.8	= Tube Diameter / 2
9804 Tube Diameter	101.6	=
9803 Socket Radius	10.0	=
9808 Side Socket Thick	60.8	= Tube Radius + Welded Thick
9802 Offset	75.0	=
9806 Fin Radius	82.0	= Fin Diameter / 2
9801 Fin Diameter	164.0	=
9809 CTP	180	= if(Fin Diameter = 73 mm, 88, if(Fin

Family Types: New..., Rename..., Delete

Parameters: Add..., Modify..., Remove

OK Cancel Apply Help

Figure 06
Family Parameter Reference